

AGITUM520

52cm Undermount Rangehood



 **ARISTON**



FEATURES & BENEFITS



800m³/h Extraction

Removes cooking odours with ease



Noise Rating from 45dB

Quiet operation makes this unit perfect for open plan kitchens.



LED Lighting

Giving extra light when needed in the kitchen.



4 Speed Settings

Depending on what you're cooking you can vary the amount of extraction as required.



5 YEAR WARRANTY on parts and labour.

TECHNICAL SPECIFICATIONS

Construction Type/Product Family	Undermount rangehood
Speed settings	4
Lighting type / Position	LED / Front
Control Type	Button
Colour	Stainless steel
Filter Type	Stainless steel baffle filter
Motor	Single
dB Rating	45dB (min) to 70dB (max)
Ducting diameter	150mm
Approval Certificates	CE

DIMENSIONS

Product Dimensions (W) x (H) x (D)	520 x 270 x 290
Built-In Cut-out Dimensions (W) x (D)	505 x 262
Weight	14.5kg

www.ariston.com.au

DISTRIBUTED BY ARISIT PTY LTD
40-50 Mark Anthony Drive,
Dandenong South VIC 3175
Ph: 1300 762 219
Fax: 03 9768 0838
Website: www.arisit.com

1A Howe Street,
Newton, Auckland NZ 1145
Ph: (09) 306 1020
Website: www.arisit.com

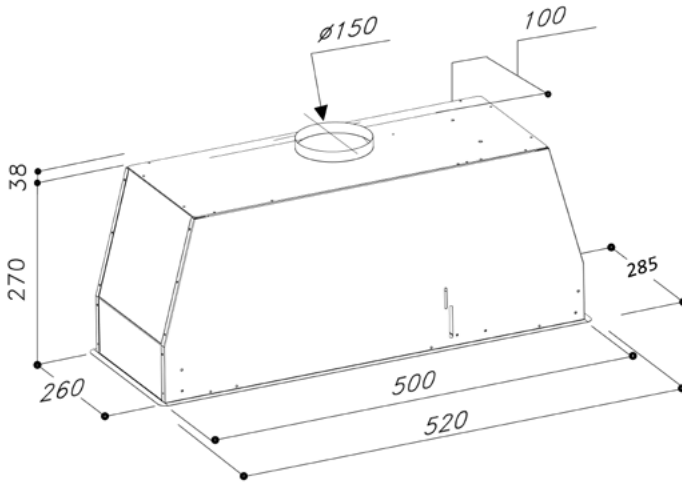


AGITUM520

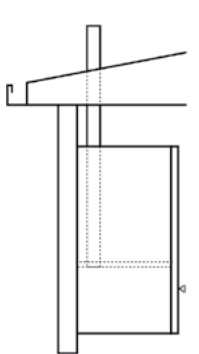
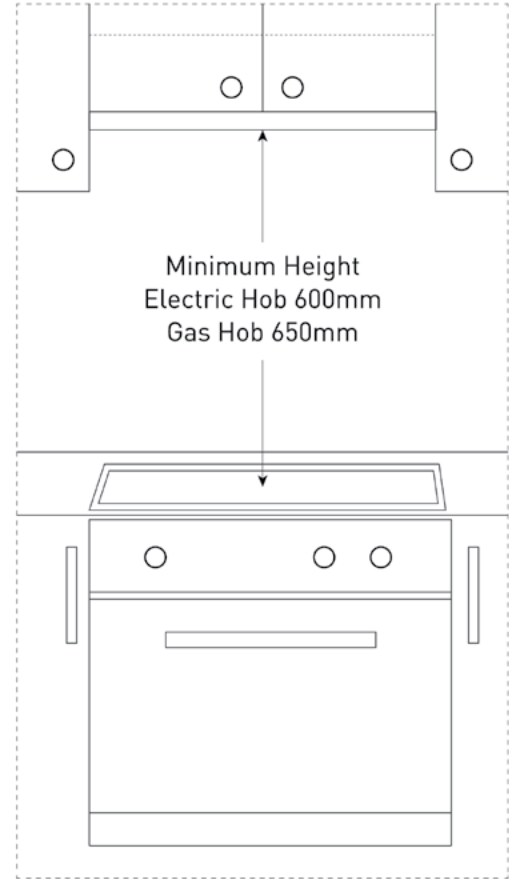
52cm Undermount Rangehood



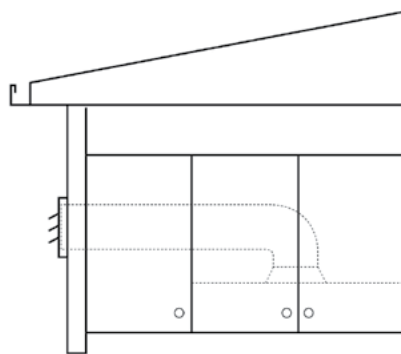
Product dimensions



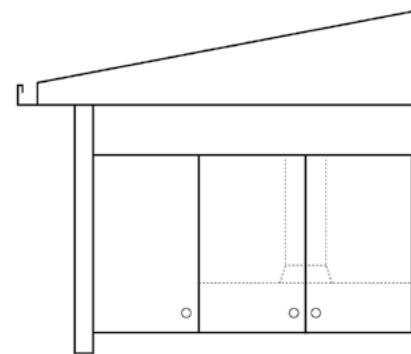
Rangehood/cooktop clearance



TOP DUCTING



SIDE DUCTING



RE-CIRCULATING
(Carbon filter required)

WARNING: Technical specifications and product sizes can be varied by the manufacturer, without notice. Cut outs for appliances should only be by physical product measurements. The above is indicative only.

www.ariston.com.au

DISTRIBUTED BY ARISIT PTY LTD
40-50 Mark Anthony Drive,
Dandenong South VIC 3175
Ph: 1300 762 219
Fax: 03 9768 0838
Website: www.arisit.com

1A Howe Street,
Newton, Auckland NZ 1145
Ph: (09) 306 1020
Website: www.arisit.com

