

# AGITUM520

52cm



 **ARISTON**



52cm

Undermount



900m<sup>3</sup>/h airflow



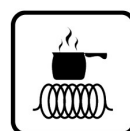
18/10 grade stainless  
baffle filter system



10 AMP GPO  
required



2 x 2.5W LED  
spot lights



Induction  
Countdown  
Control



Handcrafted in  
Italy

## Features and Benefits:

<b>900 m<sup>3</sup>/h Extraction</b>	Removes cooking odours with ease
<b>Baffle filter</b>	18/10 grade stainless baffle filter system
<b>LED Lighting</b>	2 x 2.5W LED lights give extra light when needed in the kitchen
<b>4 Speed Settings with countdown timer</b>	Powerful extraction with run-on timer to clear odours after cooking
<b>dBA Rating</b>	Min 30 - Max 46 dBA noise rating

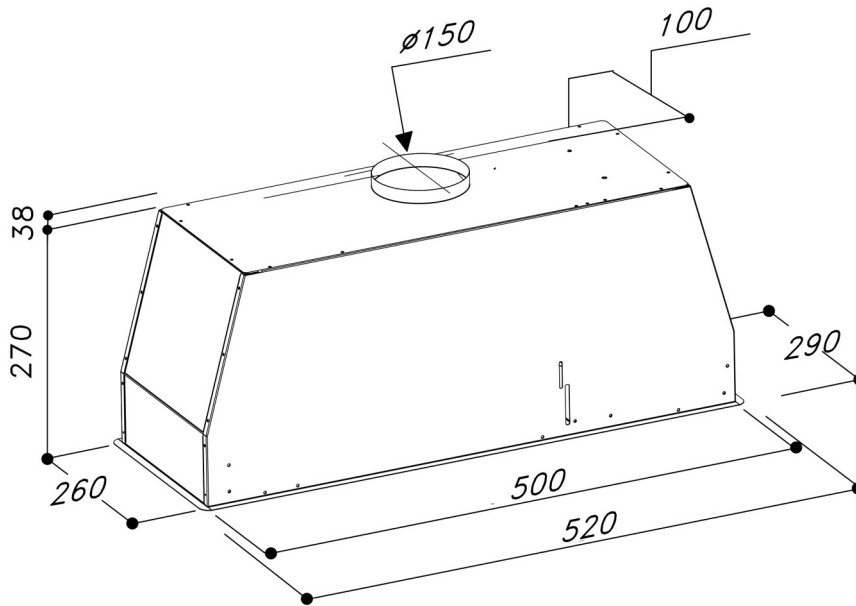
**5 YEAR WARRANTY**

**Distributed by Arisit Pty Ltd**

40-44 Mark Anthony Drive, Dandenong South VIC 3175 Ph: 1300 762 219 Fax: 03 9768 0838 Website: [www.arisit.com](http://www.arisit.com)  
1A Howe street, Auckland, New Zealand 1145 Ph: (09) 306 1020 Fax: 09 3020077

# AGITUM520

## 52cm Undermount Hood



All dimensions in mm.

### Technical Specifications:

Extraction Rate	900 m <sup>3</sup> /h
Speed Settings	4
Lighting Type / Position	LED / Front
Control Type	Buttons
Colour	Stainless Steel
Filter Type	18/10 grade stainless baffle filter system
Motor	Single
Dimensions (W) x (H) x (D)	520 x 270 x 290

Technical	
Connection	220-240V - 50Hz
Ducting Outlet	150mm
Plug type	Australian-10A

WARNING: technical specifications and product sizes can be varied by the manufacturer, without notice. Cut outs for appliances should only be by physical product measurements. The above information is indicative only.

## 5 YEAR WARRANTY

Distributed by Arisit Pty Ltd

40-44 Mark Anthony Drive, Dandenong South VIC 3175 Ph: 1300 762 219 Fax: 03 9768 0838 Website: [www.arisit.com](http://www.arisit.com)

1A Howe Street, Newton, Auckland NZ 1145

Ph:(09) 306 1020 Fax: (09) 302 0077