

ACS60AX-L

60cm Canopy Rangehood



 **ARISTON**



FEATURES & BENEFITS



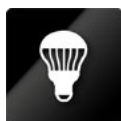
700m³/h Extraction

Removes cooking odours with ease



51/55/58dB Noise Rating

Quiet operation makes this unit perfect for open plan kitchens.



LED Lighting

Giving extra light when needed in the kitchen.



3 Speed Settings

Depending on what you're cooking you can vary the amount of extraction as required.



5 YEAR WARRANTY on parts and labour.

TECHNICAL SPECIFICATIONS

Construction Type/Product Family	Canopy rangehood
Speed settings	3
Lighting type	LED
Control Type	Button Control
Colour	Stainless steel
Filter Type	Aluminium Filter
Motor	Single
dB Rating	51/55/58dB
Ducting diameter	150mm
Location & Length of Power Cable	
Electrical Connect Requirements	
Voltage (V)	
Frequency (Hz)	
Approval Certificates	CE

DIMENSIONS

Product Dimensions (W) x (H) x (D)	600 x 585-1055 x 590
Package Dimensions (W) x (H) x (D)	
Weight	16kg

DISTRIBUTED BY ARISIT PTY LTD
40-50 Mark Anthony Drive,
Dandenong South VIC 3175
Ph: 1300 762 219
Fax: 03 9768 0838
Website: www.arisit.com

1A Howe Street,
Newton, Auckland NZ 1145
Ph: (09) 306 1020
Website: www.arisit.com



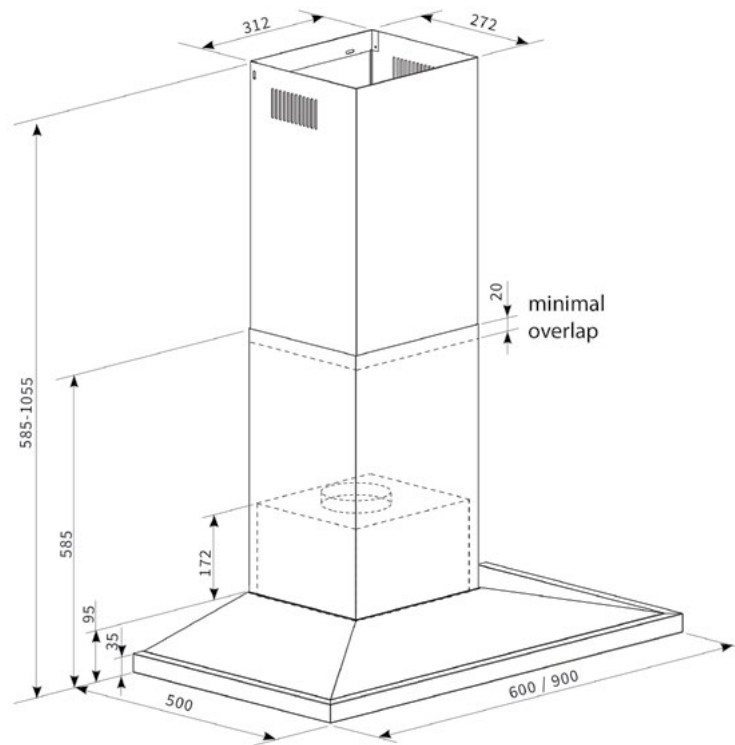
ACS60AX-L

60cm Canopy Rangehood

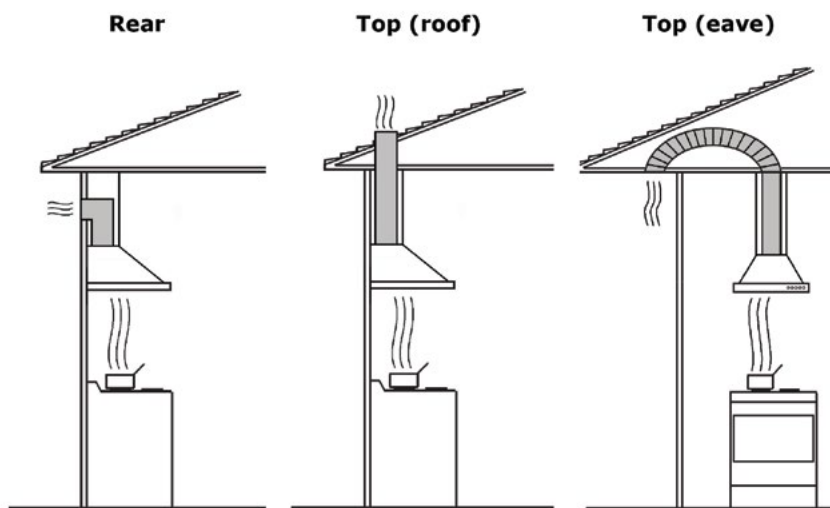


 **ARISTON**

Product dimensions



Rangehood/cooktop clearance



WARNING: technical specifications and product sizes can be varied by the manufacturer, without notice. Cut outs for appliances should only be by physical product measurements. The above is indicative only.

DISTRIBUTED BY ARISIT PTY LTD
40-50 Mark Anthony Drive,
Dandenong South VIC 3175
Ph: 1300 762 219
Fax: 03 9768 0838
Website: www.arisit.com

1A Howe Street,
Newton, Auckland NZ 1145
Ph: (09) 306 1020
Website: www.arisit.com

